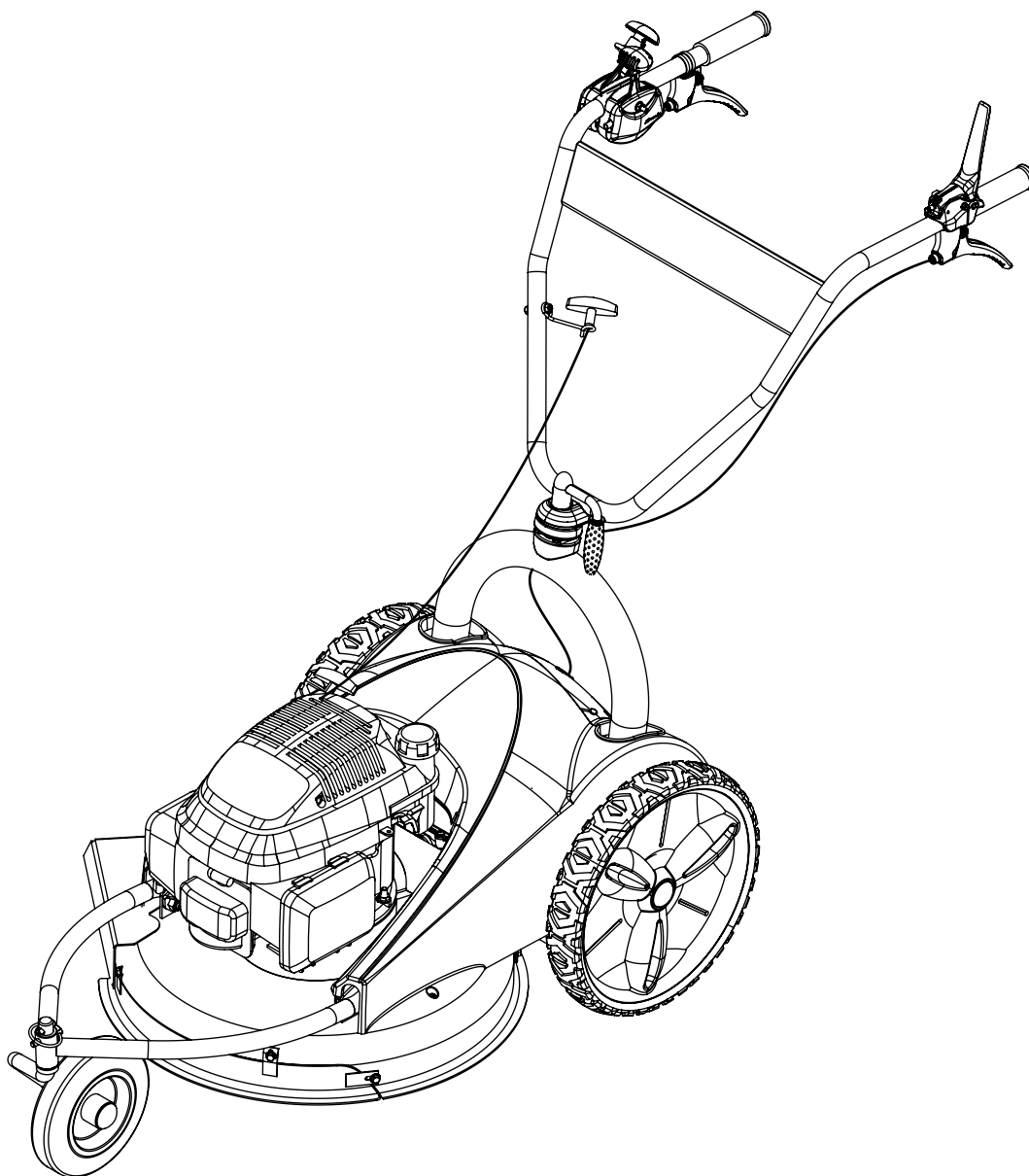


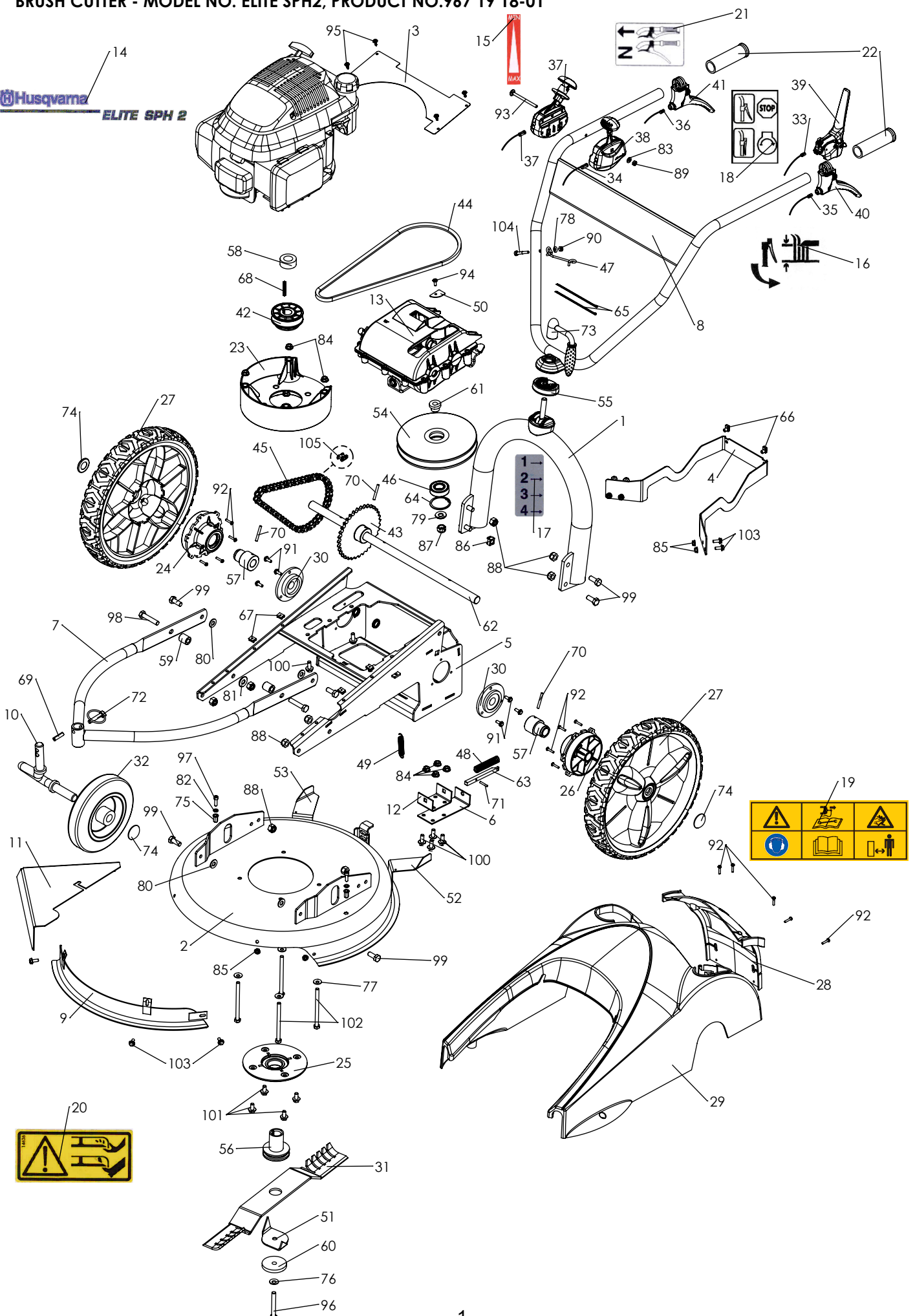
ELITE SPH2

Spare parts
Pièces détachées



REPAIR PARTS

BRUSH CUTTER - MODEL NO. ELITE SPH2, PRODUCT NO.967 19 18-01



REPAIR PARTS

BRUSH CUTTER - MODEL NO. ELITE SPH2, PRODUCT NO.967 19 18-01

KEY NO.	PART NO.	DESCRIPTION	DESIGNATION	QTY QTE
1	585 42 45-01	XTERM BVM TUBE FRAM GRIS (627)	ARCEAU XTREM BVM GRIS (627)	1
2	585 42 46-01	XTREM BVM BLADE GUARD GREY (627)	COUPELLE XTREM BVM GRIS (627)	1
3	585 42 47-01	GCV XTREM BVM COVER BELT BLACK RAL9005	TOLE PROT COUR GCV XTREM BVM NOIR RAL9005	1
4	585 42 48-01	XTREM BVM COVER SUPPORT BLACK RAL 9005	TOLE SUPPORT CAPOT XTREM BVM NOIR RAL9005	1
5	585 42 49-01	XTREM BVM REAR FRAME BLACK RAL9005	CHASSIS ARR XTREM BVM NOIR RAL9005	1
6	531 00 94-33	SUPPORT LOCKING RAISING	SUPP VERROUILLAGE RELEVAGE ECO-03	1
7	585 42 50-01	XTREM FRONT FRAME GREY (627)	CHASSIS AVANT XTREM GRIS (627)	1
8	585 42 51-01	XTREM HANDLEBAR GREY (627)	GUIDON XTREM GRIS (627)	1
9	585 42 52-01	FRONT DEFLECTOR GREY (627)	DEFLECTEUR AVANT E51 GRIS (627)	1
10	585 42 84-01	SUPPORT FRONT WHEEL GREY (627)	SUPP ROUE AVANT E51-03 GRIS (627)	1
11	585 42 53-01	SIDE DEFLECTOR GREY (627)	DEFLECTEUR LATERAL E51 GRIS (627)	1
12	531 00 85-92	Locking pin support	SUPP AXE RELEVAGEx E51-03xBICHx	1
13	585 42 54-01	MODULAR TRANSMISSION MAV MAR	TRANSMISSION MODULAIRE MAV VAR	1
14	531 29 05-01	Label "ELITE SPH 2"	ETIQ HUSQVARNA ELITE SPH2	1
15	585 42 55-01	Speed variation label modular transmission	ETIQUETTE VITESSE BOITIER MOD	1
16	531 00 94-67	Height cutting label	ETIQ REGL HAUT COUP xFST-XTRMx	1
17	531 00 94-68	Cutting setting label E51 Pro V2	ETIQ ECH HAUT COUPE xPROV2x	1
18	531 00 84-06	Engine brake label	ETIQ MANETTE COUPE CIRCUIT	1
19	531 00 84-05	"Safety instructions" label	ETIQ "PRECAUTIONS EMPLOI"	1
20	519 65 32-63	Label "danger sticker"	AUTO-COLLANT DANGER LAME 78 X	2
21	519 00 62-25	Foward movement stricker	AUTO-COLLANT EMBRAY DEBRAY M Av	1
22	544 31 14-01	HAND SIDE GRIP	POIGNEE PLASTIQUE DIAM 25 CB	2
23	544 29 17-01	Plastic engine raiser	REHAUSSE MOTEUR XTREM-FIRST	1
24	531 00 94-63	Right flange bearing for free wheel	PALIER ROUE LIBRE DROIT E51	1
25	531 00 94-37	Flange bearing	PALIER COUPELLE XTREM/FIRST	1
26	531 00 94-62	Left flange bearing for free wheel	PALIER ROUE LIBRE GAUCHE E51	1
27	531 00 94-36	Rear wheel	ROUE E51 XTREM	2
28	531 00 94-73	Orange RAL2009 inspection hatch	TRAPPE DE VISITE XTREM ORANGE RAL2009	1
29	531 00 94-72	Orange RAL2009 engine bonnet	CAPOT MOTEUR XTREM ORANGE RAL2009	1
30	531 00 83-58	WHEEL FLANGE BEARING Ø20	PALIER ARBRE ROUE DIAM 20	2
31	531 00 94-60	Blade	LAME LG 510 DEP 30 E51 PROv2	1
32	531 00 94-38	Front Wheel Ø200	ROUE CENTAURE 281 PEL 20	1
33	585 42 56-01	ENGINE BRAKE CABLE 1354/55 (LASC lever)	CABLE FREIN MOTEUR 1354/55 (manette LASC)	1
34	531 00 94-51	THROTTLE CABLE LG 1440MM STROKE 42	CABLE GAZ LG1440 C42 MANETTE GAZ START TOLE / LGU	1
35	585 42 58-01	HEIGHT SETTING CABLE	CABLE REGL HAUTEUR XTREM TRANSMISSION MODULAIRE	1
36	585 42 59-01	CLUTCH CABLE LENGHT 1058MM STROKE 125MM	CABLE EMBR LG1058 CF125 BOITIER MODULAIREx MANETTE LAB	1
37	585 42 60-01	SPEED TRANSITION CABLE	MANETTE + CABLE VAR VITESSE LG GAINE 1070 C45 COUDE	1
38	585 42 61-01	UNIVERSAL THROTTLE LGU4R01R0	LEVIER ACCELERATEUR LGU4R01R0	1
39	504 05 15-01	Brake lever LASC Ø25 stroke 20mm	LEVIER FREIN MOTEUR LASC 05 R 00 Course 20 Guidon 25mm	1
40	504 05 14-01	LEVER LAB D25 STROKE 30 Handlebar D25mm	LEVIER EMB LAB D7 B01 Course 30 Guidon D25mm	1
41	544 31 13-01	LEVER LAB D25 STROKE 25 Handlebar D25mm	LEVIER EMB LAB C7 B01 Course 25 Guidon D25mm	1
42	531 00 94-70	VARIATION MOTOR PULLEY Ø22.2	POULIE MOTEUR VARIATRICE D22.2 FLASQUE MOBILE ALU	1
43	585 42 62-01	SPROCKET 35 TEETH 12.7 Ø20MM	PIGNON 35 DTS 12.7 ALES 20mm	1
44	585 42 63-01	Belt AVX10 x 1000La BELT AVX10 x 1000La	COURROIE 6220MC AVX10 x 1000La	1
45	585 42 64-01	CHAIN ISO 08B-1 PITCH 12.7	CHAINE ISO 08B-1 51MAIL 12.7 OUVERTE+1 MCS+ATT RAPID LIVREE	1
46	585 42 65-01	6204 DDU EMQV1 Ball-Bearing	ROULEMENT 6204 DDU EMQV1	1
47	531 00 85-97	Starter Hook	ACCROCHE LANCEUR xE51-03x	1
48	519 65 32-09	Locking spring	RESSORT CP 13.4x75 16/10	1
49	585 42 66-01	EXTENSION SPRING 12.2x75.2	RESSORT TR 12.2x75.2 18/10 GAL	2
50	585 42 67-01	CABLE PLATE	PLATINE CABLE TRANS MOD	1
51	531 00 94-35	Stringy cutter	COUPE FILANDREUX E51ProV2	1
52	531 00 94-71	Left carter holding sheet	Renfort Capot Gauche XTREM	1
53	531 00 94-69	Right carter holding sheet	Renfort Capot Arr droit XTREM	1
54	585 42 68-01	OSCILLATING PULLEY	POULIE OSCILLANTE TRANS MOD	1
55	531 00 94-34	Handlebar detent quadrant	PIECE INTERM E51ProV2	1
56	585 42 69-01	XTREM10 BLADE HUB	MOYEU LAME XTREM BVM	1
57	531 00 94-61	Wheel hub	MOYEU ARBRE ROUE E51PROV2	2
58	585 42 70-01	SPACER 40x22.3x17	ENTR. 40x22.3x17 Z	1
59	531 00 94-41	Spacer 20 x 10.5 x 23	ENTR. 20x10.5x23 xZN	2
60	519 65 32-74	Blade washer	RONDELLE DE SERRAGE E 51	1
61	585 42 71-01	Oscillating pulley axle	AXE DE POULIE OSCILLANTE TRANSMISSION MODULAIRE	1
62	531 00 94-58	Wheel shaft E51 Pro V2	ARBRE ROUE E51ProV2	1
63	531 00 85-94	Locking pin	AXE RELEVAGE xE51-03xBICHx	1
64	531 00 85-06	INTERNAL RETAINING RING 47 DIN472-47	CIRCLIP INTERIEUR 47 DIN472-47	1
65	544 31 11-01	COLLAR	COLLIER POLYAM.3.6 X 140 NOIR	2
66	531 00 94-47	Easy clip EJOT	CLIP EASY 4x4x9	2

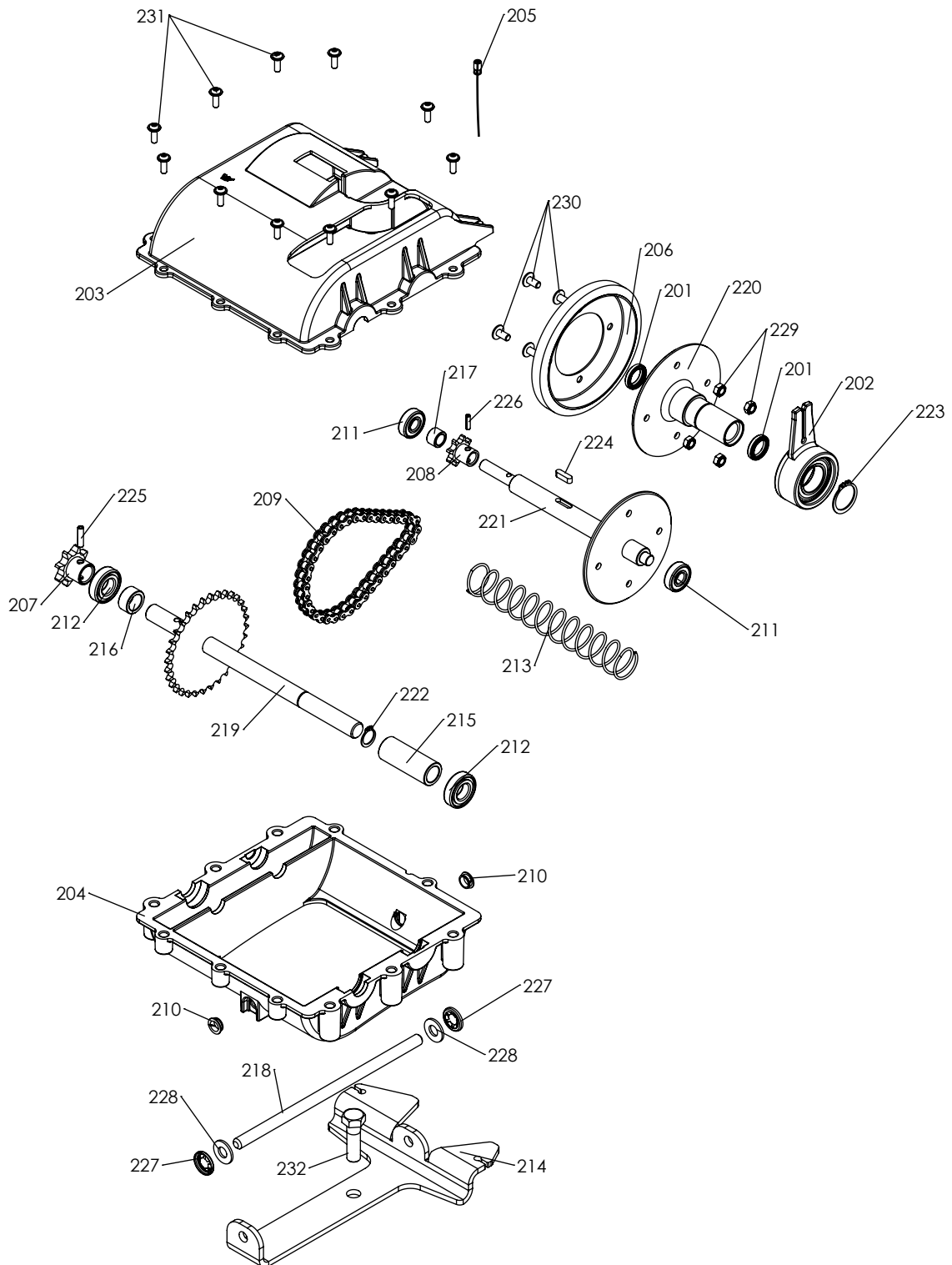
REPAIR PARTS

BRUSH CUTTER - MODEL NO. ELITE SPH2, PRODUCT NO.967 19 18-01

KEY NO.	PART NO.	DESCRIPTION	DESIGNATION	QTY QTE
67	519 65 34-25	CLIPS 4.2	CLIPS PRESTOLE Z/VIS 4.2 EP 4	4
68	519 65 30-21	KEY 4.76X4.76X40 DRO TOL h 9 - XC 48	CLAVETTE 4.76X4.76X 40 BTS DRO TOL h 9 - XC 48	1
69	531 00 85-64	Cotter-pin 8x30	GOUPILLE mecanindus 8X30	1
70	519 65 31-70	Pin Ø5x40 HBK	GOUPILLE HBK 5x40	3
71	531 00 83-98	Cotter-pin 4x24 HBK	GOUPILLE HBK 4x24	1
72	519 65 31-67	Cotter-pin	GOUPILLE CLIPS 8X42 ZING	1
73	544 36 22-01	Handlebar tightening lever	POIGNEE SERRAGE M12x125	1
74	519 65 31-74	Trim stopper Ø20	ENJOLIVEUR DIAM 20 CAB 20/38	3
75	585 42 73-01	Insert M6	INSERT Bollhoff M6 Borgne <3mm	2
76	504 05 22-01	Elastic washer 10 Bic	RONDELLE CONTACT 10 BIC NFE 25-511	1
77	544 31 49-01	CONTACT WASHER 8	RONDELLE CONTACT M8 NF E 25511	4
78	531 00 94-03	CONTACT WASHER 6	RONDELLE CONTACT 6 BIC NFE 25-511	1
79	519 65 34-53	PLATE WASHER M 12X27X2.5 Z NFE 25513	RONDELLE PLATE M 12X27X2.5 Z NFE 25513	1
80	531 00 83-89	PLATE WASHER M 10X22X2 Z NFE 27611	RONDELLE PLATE M 10X22X2 Z NFE 27611	4
81	531 00 84-66	PLATE WASHER M 10X27X2 Z NFE 27611	RONDELLE PLATE M 10X27X2 Z NFE 27611	2
82	531 00 85-64	Washer M6x12x1.2z	RONDELLE PLATE M 6X12X1 Z NFEN 25513	2
83	519 65 34-49	PLATE WASHER M 6X14X1,2 Z NFEN 25513	RONDELLE PLATE M 6X14X1,2 Z	1
84	519 65 34-30	NUT H M8 Z NOTCHED SHOULDER	ECROU HM 8 ZEMB CR DIN 6923-8	8
85	519 65 34-32	NUT H M6 Z NOTCHED SHOULDER	ECROU HM 6 ZEMB CR DIN 6923	7
86	585 42 74-01	Caged nut M10 C 4811C	ECROU CAGE M10C 4811C	1
87	752 25 50-51	BLOCKING NUT M 12 Z	ECROU FREIN M 12 Z DIN 985/8	1
88	519 65 34-58	BLOCKING NUT M 10 Z	ECROU FREIN M 10 Z DIN 985/8	9
89	732 26 16-01	BLOCKING NUT M 6 Z	ECROU FREIN M 6 Z DIN 985-8	1
90	501 98 59-01	Nut HM6 z	ECROU H.U. M 6 Z	1
91	504 05 27-01	Screw HM6x16 z Self-tapping	VIS AUTOTAR TH A EMB 6 X 16 Z	6
92	531 00 94-49	Screw WN 1452 K40x20 Torx	VIS TORX WN 1452 K40x20	17
93	585 42 75-01	Screw TBCC M6x80/20 z	VIS TRCC 6x80/20 Z DIN 603 CI 4.6	1
94	585 43 17-01	SCREW TORX M5x15	VIS MX TCBL TORX M5X16 Z	1
95	519 65 34-26	SCREW POZI 4.2X16Z	VIS TOLE TETE POELIER D11 POZI Cr 4.2X16 Z	4
96	531 00 83-18	Screw 3/8 TH24 UNF Lg70	VIS 3/8 TH24 UNF LG 70 Z	1
97	531 00 84-09	SCREW CHC M6x20z	VIS CHC 6 X 20 Z	2
98	519 65 31-27	Screw H M10x50 z	VIS H 6/8 10X50/26 Z DIN931	2
99	519 65 31-23	SCREW H M10x25 Z	VIS H 10 X25 Z DIN 933/8/8	8
100	519 65 34-33	SCREW H M8X20 Z NOTCHED SHOULDER CL 8.8	VIS H 8x20 Z EMB CR	8
101	531 00 82-02	SCREW H M8X16 Z NOTCHED SHOULDER CL 6.8	VIS H 8x16 Z EMB CR DIN 6921 CL 6.8	4
102	519 65 30-45	Screw HM 8x110 z	VIS HM8x110/22Z ISO 4014 CL8.8	4
103	519 65 34-35	SCREW HM 6X16 Z NOTCHED SHOULDER	VIS H 6x16 Z EMB CR DIN 6921	7
104	519 65 34-37	Screw HM6x35z	VIS H 6 X 35 Z NFE 24017 CL6.8	1
105	504 07 22-01	Quick fastener (12.7)	ATTACHE RAPIDE 12.7 N 10.08B	1

REPAIR PARTS

BRUSH CUTTER - MODEL NO. ELITE SPH2, PRODUCT NO.967 19 18-01



REPAIR PARTS

BRUSH CUTTER - MODEL NO. ELITE SPH2, PRODUCT NO.967 19 18-01

KEY NO.	PAR NO.	DESCRIPTION	DESIGNATION	QTY QTE
201	585 42 89-01	Lip seal 17x23x4/5 NBR	JOINT A LEVRE 17X23X4/5 NBR TYPE WPK	2
202	585 42 91-01	Modular transmission	FOURCHETTE TRANSMISSION MODULAIRE	1
203	585 42 93-01	MODULAR TRANSMISSION	CARTER SUPERIEUR TRANSMISSION MODULAIRE	1
204	585 42 94-01	Modular transmission	CARTER INFERIEUR TRANSMISSION MODULAIRE	1
205	585 42 95-01	Clutch cable	CABLE MAR LG40 CF100 BOITIER MODULAIRE	1
206	585 42 96-01	OVERMOLDED FRICTION WASHER	RONDELLE DE FRICTION SURMOULEE	1
207	585 42 97-01	SPROCKET 8 TEETH PITCH 12.7	PIGNON 8 DENTS PAS 12.7	1
208	585 42 98-01	SPROCKET 8 TEETH PITCH 9.525	PIGNON 8 DENTS PAS 9.525	1
209	585 42 99-01	CHAIN ISO 06B-1 PITCH 9.525	CHAINE ISO 06B-1 PAS 9.525 38 MAILLONS RSF	1
210	585 43 00-01	IGUS RING MCM 10-03	BAGUE IGUS MCM 10-03	2
211	585 43 01-01	6000 2RS BALL BEARING 10X26X8	ROULEMENT 6000 2RS 10x26x8	2
212	585 43 02-01	BEARING BALL 6002 2RS	ROULEMENT 6002 2RS	2
213	585 43 03-01	LOCKING SPRING	RESSORT VARIATION VITESSE TRANSMISSION MODULAIRE	1
214	585 43 04-01	Modular transmission	BALANCIER TRANS MOD	1
215	585 43 05-01	SPACER 22X15X56.7	ENTR. 22x15x56.7 N	1
216	585 43 06-01	SPACER 22x15x10.6	ENTRETOISE 22x15x10.6	1
217	585 43 07-01	SPACER 15x10.2x10	ENTRETOISE 15x10.2x10	1
218	585 43 08-01	WALKING BEAM AXLE	AXE BALANCIER TRANSMISSION MODULAIRE	1
219	585 43 09-01	Output shaft	ARBRE SORTIE TRANS MOD	1
220	585 43 10-01	FORWARD HUB	MOYEU MAV TRANS MOD	1
221	585 43 11-01	Speed variation shaft	ARBRE VARIATION TRANS MOD	1
222	544 34 62-01	EXTERNAL RETAINING RING 15	CIRCLIPS EXT. DE 15	1
223	501 99 69-01	EXTERNAL RETATING RING 25	CIRCLIPS EXT. DE 25	1
224	531 00 83-95	KEY 5x5x18 DIN 6885 A	CLAVETTE 5x5x18 BTS ROND DIN 6885 FORME A	1
225	585 43 15-01	PIN Ø5x20	GOUPILLE HBK 5X20 ISO 8748ST	1
226	585 43 16-01	PIN Ø4x16 HBK	GOUPILLE HBK 4x14 ISO 8748ST	1
227	519 65 34-62	Starlock washer Ø10	RONDELLE STARLOCK Ø10	2
228	531 00 83-89	PLATE WASHER M 10X22X2 Z	RONDELLE PLATE M 10X22X2 Z NFE 27611	2
229	732 26 16-01	BLOCKING NUT M 6 Z	ECROU FREIN M 6 Z DIN 985-8	4
230	580 31 37-01	Screw Torx M6x12	VIS-WN7380/2-010.9-TX30-M6X12 (A2K) Vis Torks a embase	4
231	585 43 17-01	SCREW TORX M5x15	VIS MX TCBL TORX M5X16 Z	11
232	501 99 19-01	Screw HM 12x40z	VIS H 12 X 40 Z DIN 933/8.8	1